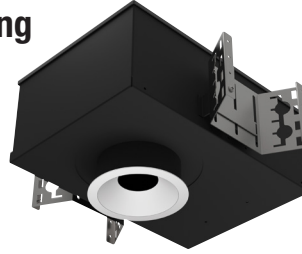


## 3" acrobat LED Downlight - Warm Dimming

### IC/CCEA New Construction Housing

Round or Square / Trimmed or Trimless



Wattage	CCT	Delivered Lumens	Efficacy
10W	1850 - 3000K	680lm	68lpw
15W	1850 - 3000K	945lm	63lpw

Lumens will vary depending on CCT, optic & lens option

#### Description

- Acrobat Air Tight IC/Chicago Plenum downlight delivers over 900lm through a 3" aperture with four optical distributions. Delivered lumens are maintained in different ceiling thicknesses.
- Drivers are accessible from below the ceiling.

#### LED Light Engine

Warm dimming LED technology provides the natural sensation of circadian rhythm.

#### Field Replaceable Dimming Driver

- Power factor > 0.9, 50/60Hz
- Multiple dimming drivers available
- Complies with IEEE62.41 surge protection

#### Housing

18 gauge galvanized steel housing and junction box with 1/2" trade size knockouts. Includes universal butterfly brackets to accommodate C-Channel, adjustable bar hangers, and EMT. C-Channel is recommended for T-bar ceilings and must be ordered separately. Adjustable wood joist bar hangers are included. Max. ambient temperature: 104°F (40°C)

#### Ceiling Thickness

- Accommodates ceiling thickness from 1/2" to 1-1/2" (Extended 2" collar available, must specify)
- Delivered lumens are maintained through entire range

#### Trim Style

- Round spun aluminum trim with anodized finishes, consult factory for custom finishes
- Square die-cast aluminum trim with powder coat finishes, consult factory for custom finishes
- Trimless mud plate and wood ceiling option available

#### Accessories

Accommodates (2) accessories, a media holder is required. Accessories are not compatible when used with lensed trim.

#### Emergency

Remote inverter operates for 90 minutes with remote test switch available, requires above ceiling access.

#### Listing/Warranty

- Patent pending
- Five (5) year limited warranty
- UL listed to US and Canadian standards for damp locations
- UL listed to US and Canadian standards for wet locations when used with lens
- Meets ASTM E283 standards
- CCEA approved - Chicago rated



#### Housing Order Matrix (Example: A3-IC15S-R00-LCB-24)

Type	Wattage	Driver	Aperture	Trim Style	Rev	Extended Collar	Hanger Bar
<b>A3-IC</b> (IC/CP)	<b>10</b> (10W)	<b>S<sup>1</sup></b> (ERP, Universal Dim, Triac/ELV/0-10V 10% 120-277V) <b>L1</b> (Lutron Hi-lume® 2-Wire 1% 120V) <b>L2</b> (Lutron EcoSystem® 5% 120-277V) <b>L3</b> (Lutron Hi-lume® Fade-to-Black 1% 120-277V) <b>EL1</b> (eldoLED DALI 1% 120-277V) <b>EL2</b> (eldoLED 0-10V 1% 120-277V) <b>DMX</b> (DMX 1% 120-277V) <b>LR1</b> (Remote Lutron Hi-lume® 2-Wire 1% 120V) <b>SR1<sup>1</sup></b> (Remote ERP, Universal Dim, Triac/ELV/0-10V 10% 120-277V)	<b>-R</b> (Round) <b>-S</b> (Square)	(blank) (Flanged) <b>TL</b> (Trimless) <b>WC</b> (Wood Ceiling)	<b>00</b>	(blank) (Standard 1-1/2") <b>-2</b> (Up to 2")	(blank) (Standard) <b>-LCB-24</b> (24" C-Channel) <b>-LCB-48</b> (48" C-Channel)
	<b>15</b> (15W)						

1. Forward and reverse phase dimming at 120V only  
All drivers are accessible from below the ceiling

#### Trim Order Matrix (Example: A3-1RWH-WHWD30-NL-00)

Trim	Aperture	Reflector Finish	Flange Finish	LED Light Engine	Optic	Lens Type	Rev
<b>A3-1</b>	<b>R</b> (Round)	<b>WH</b> (White) <b>CA<sup>2</sup></b> (Clear Alzak) <b>BL</b> (Black) <b>SA</b> (Satin Aluminum) <b>BZ</b> (Bronze)	(blank) (Trimless / Wood Ceiling) <b>-WH</b> (White) <b>-BL</b> (Black) <b>-SA</b> (Satin Aluminum) <b>-BZ</b> (Bronze)	<b>WD</b> (Warm Dim)	<b>10</b> (Spot) <b>30</b> (Narrow Flood) <b>50</b> (Flood) <b>80</b> (Wide Flood)	<b>-NL</b> (No Lens - damp location) <b>-FR</b> (Frosted - wet location) <b>-MP</b> (Solite - wet location) <b>-CL</b> (Clear - wet location)	<b>-00</b>
	<b>S</b> (Square)						

2. Available in round aperture only

#### Accessories (Note: Media holder required)

**A3-MHLDR** (Media Holder - required)  
**A3-HEX** (Hex Louver)  
**A3-FR** (Frosted Lens)  
**A3-MP** (Solite Lens)  
**A3-CL** (Clear Lens)  
**A3-LS** (Linear Spread Lens)

#### Optics

**A3-10-OPTIC** (10° Spot)  
**A3-30-OPTIC** (30° Narrow Flood)  
**A3-50-OPTIC** (50° Flood)  
**A3-80-OPTIC** (80° Wide Flood)

#### Emergency

**EM-1000** (25W LED Remote Inverter)  
**EM-1002** (10W LED Remote Emergency Driver)  
**EM-1003** (35W LED Remote Inverter)  
**EM-1004** (50W LED Remote Inverter)

# 3" acrobat LED Downlight - Warm Dimming

## IC/CCEA New Construction Housing

Round or Square / Trimmed or Trimless

Catalog #:

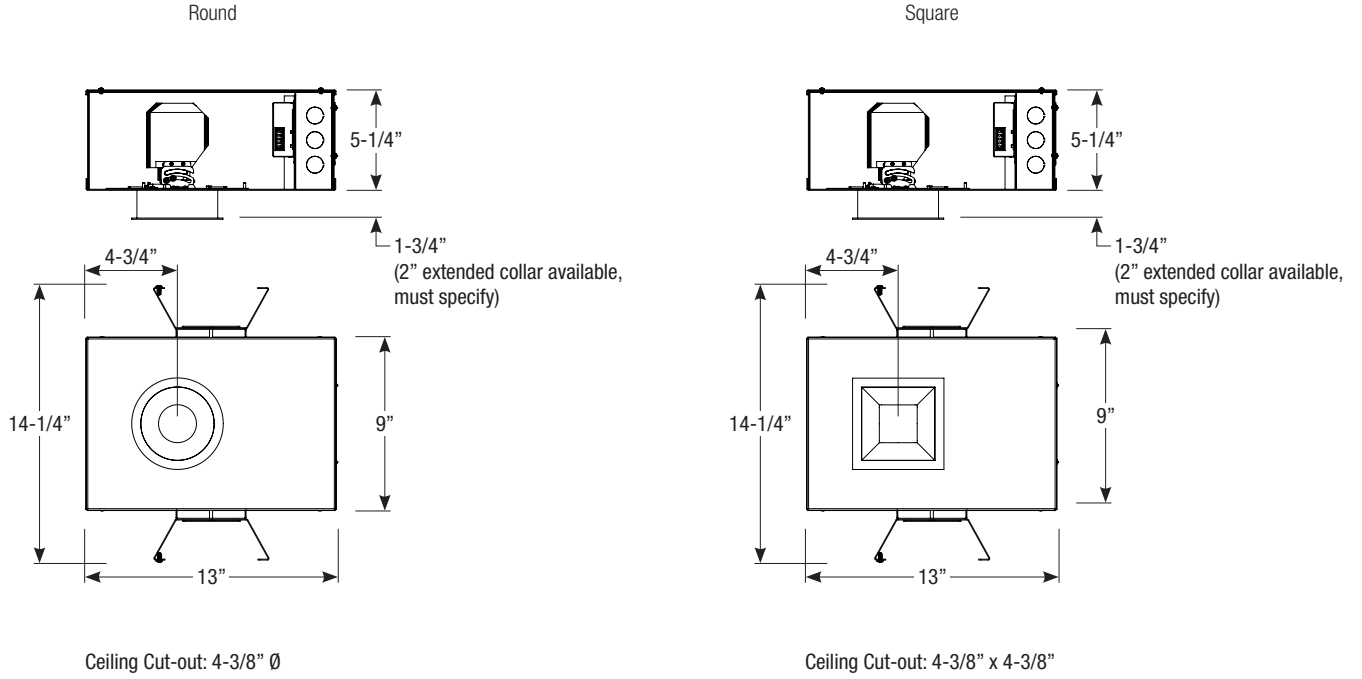
Type:

Project:

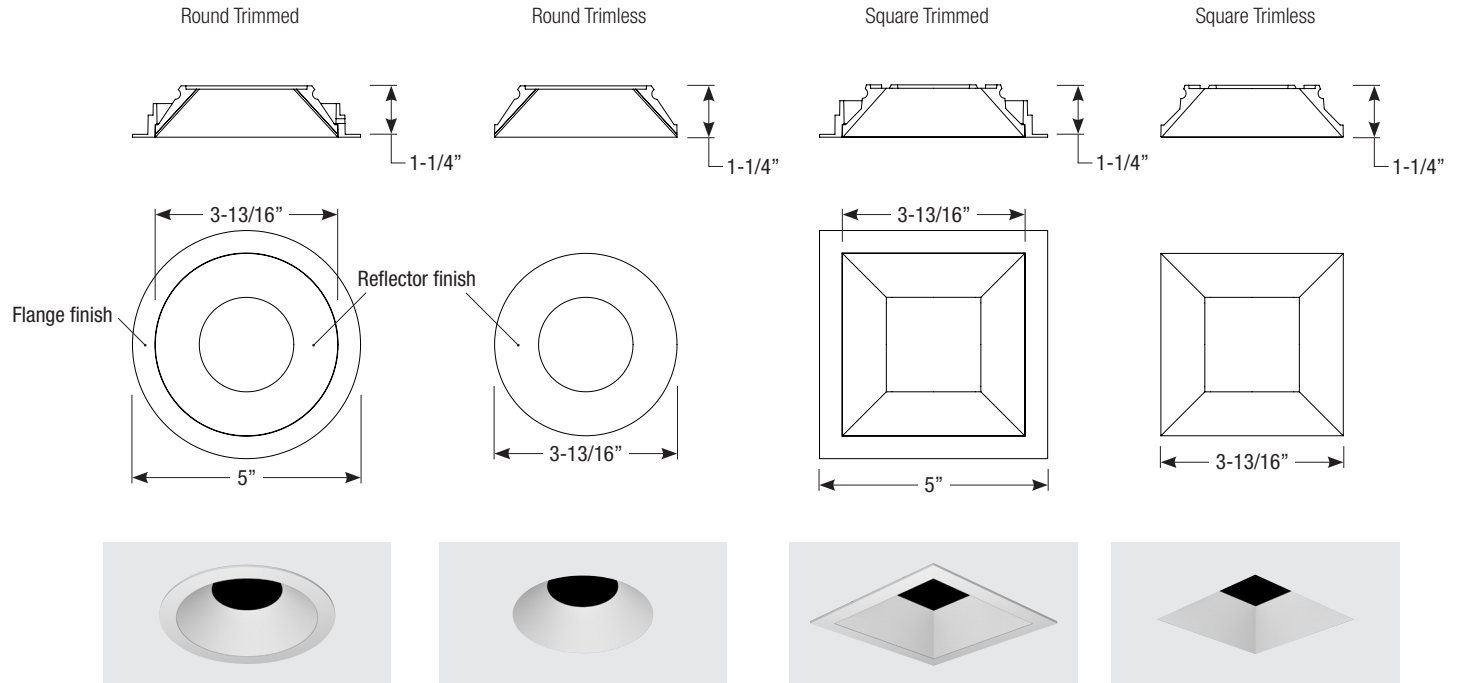
Date:

Notes:

### Housing Dimensions



### Trim Dimensions



Spec-00120 Revised 04/27/2020